



Host Cart-Front Loading

Position	Width	Height	Length	Weight
Leaned Back	24" (61cm)	55.5" (141cm)	45" (114cm)	29 lbs. (13kg)
Tilted Forward	24" (61cm)	61.5" (156cm)	42" (106cm)	29 lbs. (13kg)
10 Host loaded (Leaned back)	24" (61cm)	81" (206cm)	53" (134cm)	169 lbs. (76kg)

Applications:

The Host Cart- Front Loading is designed to hold 10 Host chairs. Cart MUST be used from the FRONT of the Host chair stack.

Primary Structure:

Part	Material Size
Main Frame	1" [2.5cm] x 14 gauge tubing
Handle	1.25" Dia. [3.2cm], 16 ga. (.083) Steel Tubing
Axle	.75" [3.2cm] cold-rolled solid steel bar

Wheels:

2 large wheels and 2 small casters

Front Wheels:

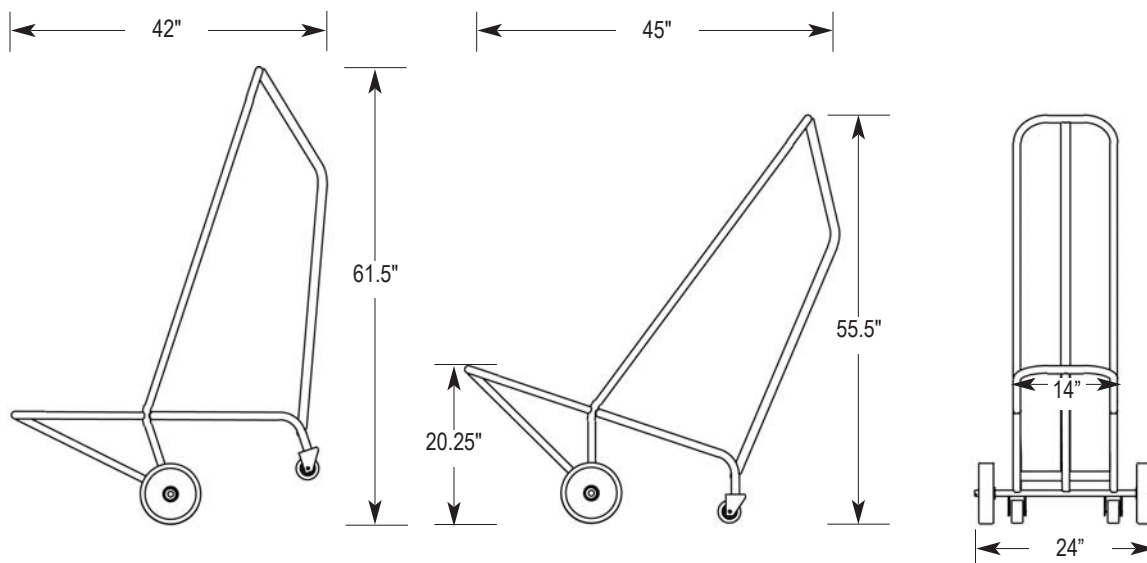
Front wheels are 8" (20cm) diameter x 2" (5cm) wide, with non-marring round tread and hardened rubber axle mount.

Each wheel has a load capacity of not less than 250 pounds (113kg) each.

Rear Casters:

Rear swivel casters are 3-1/2" (9cm) diameter x 1-1/4" (3.2cm) wide with non-marring, tread and hardened rubber stem mount.

Each rear caster has a load capacity of not less than 225 pounds (102kg) each.



Part Number Example: CRTHOSTFL2