

X-Base – Stacking



the leader in lightweight durability

SPECIFICATIONS

Applications:

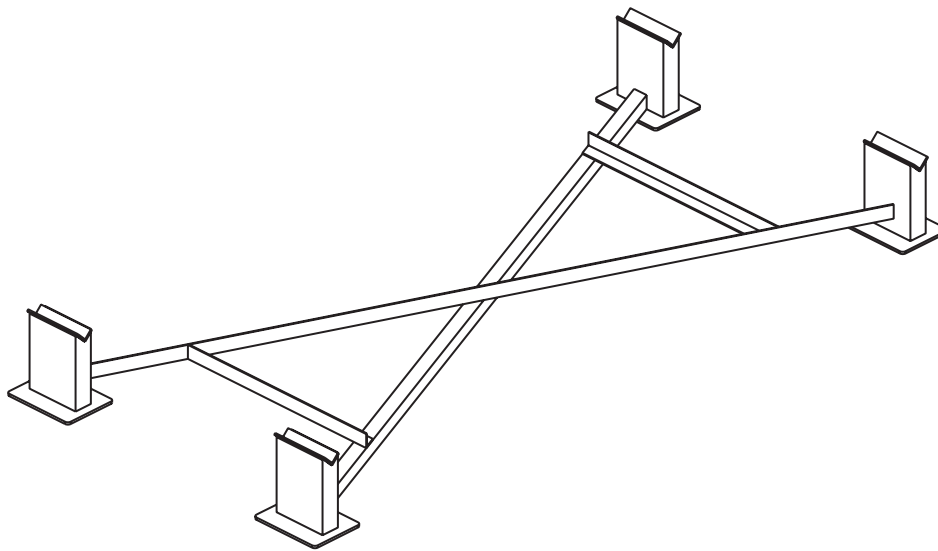
The X Base – Stacking is designed to hold up to 3 Mity-Lite table or SwiftSet® stacking carts. A fork lift is necessary to lift the carts onto the base. The base takes the weight off the casters.

QUICK SPECS

Sizes	Width	Height	Length	Weight
CT60	40 1/2"	8 1/2"	70 1/2"	55 lbs
CT72	40 1/2"	8 1/2"	82 1/2"	57 lbs
RT3072	35 1/2"	8 1/2"	82 1/2"	56 lbs
RT3096	35 1/2"	8 1/2"	106 1/2"	60 lbs
RT3672	41 1/2"	8 1/2"	82 1/2"	57 lbs
RT3696	41 1/2"	8 1/2"	106 1/2"	61 lbs
CHSS	34"	8 1/2"	96"	58 lbs

Primary Structure:

Part	Material Size
Main Frame	1 1/2 x 1 1/2 x 0.125 angle iron that is welded to uprights
Uprights	2 x 6 x 0.120 rectangle tubing
Base Plate	1/4 x 8 steel plate that is welded to the bottom of uprights



PART NUMBER EXAMPLE: XBCT60BLK

www.mitylite.com 1.800.327.1692 • 1.801.224.0589 • fax 1.801.224.6191