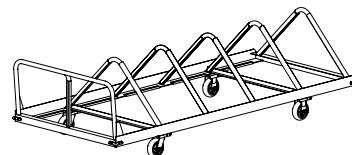




SwiftSet® Cart Flat – Under Stage

Width	Height	Length	Weight
44.3" (112.5cm)	26.4" (67.06cm)	104.3" (264.92cm)	130 lbs. (58.97kg)



Applications:

This SwiftSet® Cart Flat – Under Stage is designed to hold 60 non-upholstered SwiftSet® chairs. The chairs stack horizontally on the cart, interlocking to make a more secure stack.

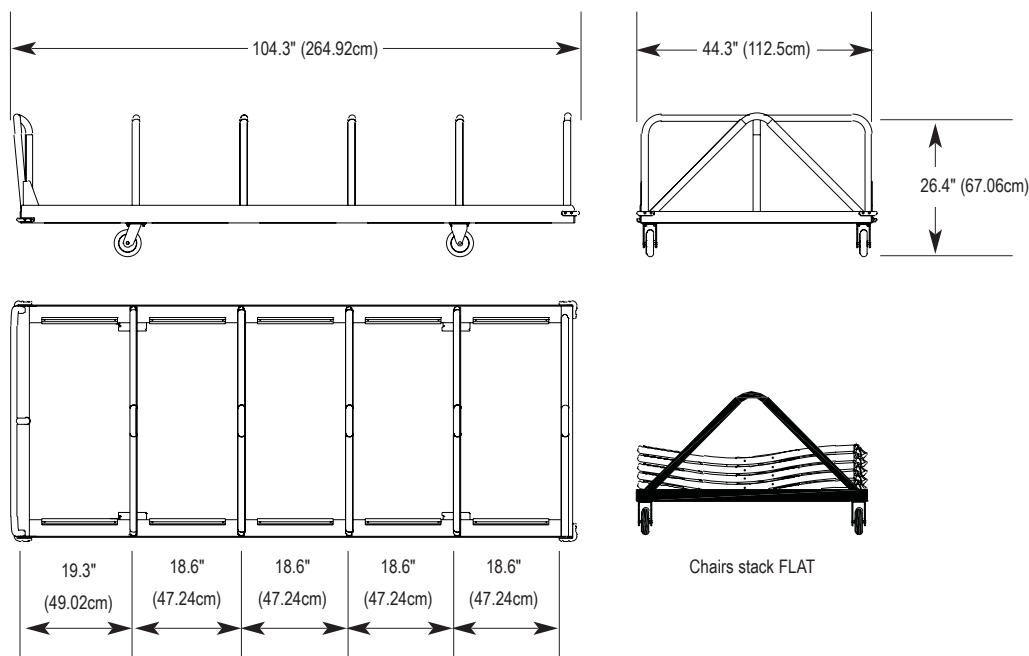
Primary Structure:

The cart consists of a steel frame, steel handle, 2 swivel casters, 2 fixed casters and 4 protective bumpers. The divider tubes is coated with protective neoprene rubber.

Part	Material
Outer Rails	3" x 3" x 3/16" [7.6cm x 7.6cm x .5cm] Steel Angle Iron
Cart Ends	2" x 2" x 3/16" [5cm x 5cm x .5cm] Steel Angle Iron
Crossbar	1 1/4" x 1 1/4" x 1/8" [3.2cm x 3.2cm x .3cm] Steel Angle Iron
Handle Upright	1 1/4" Dia., 14 ga. (.083) [3.2cm, 2cm] Steel (Round) Tubing
Cart Handle	1 1/4" Dia., 14 ga. (.083) [3.2cm, 2cm] Steel (Round) Tubing
Angle Dividers	1 1/4" Dia., 14 ga. (.083) [3.2cm, 2cm] Steel (Round) Tubing
Caster Mounting Plate	3.85" x 2.76" 10 ga. (.140) [9.8cm x 7cm, .35cm] Aisi 1008 cold rolled steel
Cart Divider Covers	Filtrona (bunyl) snap cover
Inner edge of outer Rail	J-Bumper – Filtrona Black Soft Vinyl 80

Casters:

Casters are 2" (5cm) wide x 6" (15cm) diameter with a soft thermoplastic elastomer tread, with 1/2" (1.3cm) roller bearings, and with a load capacity of not less than 450 (204kg) pounds each.



Part Number Example: CRTCHSSUSBLK2