

OT Cart – Large



the leader in lightweight durability

SPECIFICATIONS

Applications:

The OT Cart – Large is designed to hold 10 tables stacked on edge. The side handles are provided to hold the tables up on edge. A front handle is provided to push or pull the cart. Industrial grade felt is provided on the bottom cross rails to protect the table's edge.

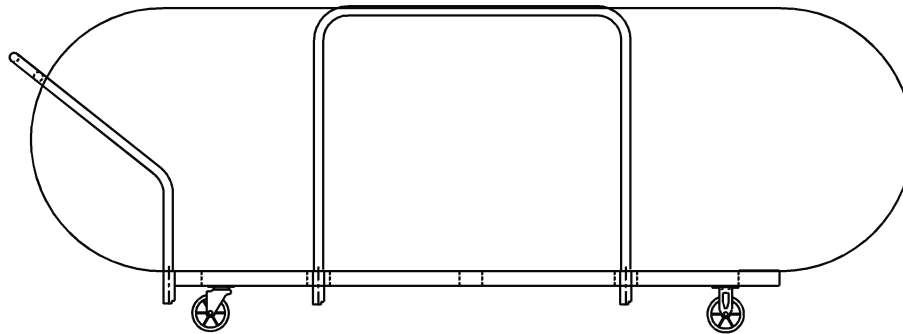
Primary Structure:

The main frame shall consist of bent and punched 14 gauge (.083) steel sheet metal. Handles and side support tubes shall consist of 1 1/4" x 14 gauge (.083 wall) round tubing.

Casters:

Wheels shall be 2" wide x 6" diameter soft, rounded tread, thermoplastic elastomer with roller bearings. Wheels shall be mounted on two swivel caster rigs and two fixed caster rigs. They shall have a load capacity of not less than 450 pounds each.

QUICK SPECS			
Width 39"	Height 44 1/2"	Length 105"	Weight 96 lbs.
LOADED DIMENSIONS			
Table	Length	Height	
OT36120	124"	44 1/2"	
OT4296	105"	50 1/2"	
RT42102	112"	50 1/2"	
RT48120	124"	56 1/2"	



PART NUMBER EXAMPLE: CRTOTLGBLK2

www.mitylite.com 1.800.327.1692 • 1.801.224.0589 • fax 1.801.224.6191

