



# CT/RT Cart – 12 Knock-down

Width	Height (Empty)	Height (Loaded)	Length	Weight
36" (91cm)	54.125" (137cm)	61.875" (157cm)	72"(183cm)	112 lbs. (51kg)

### Applications:

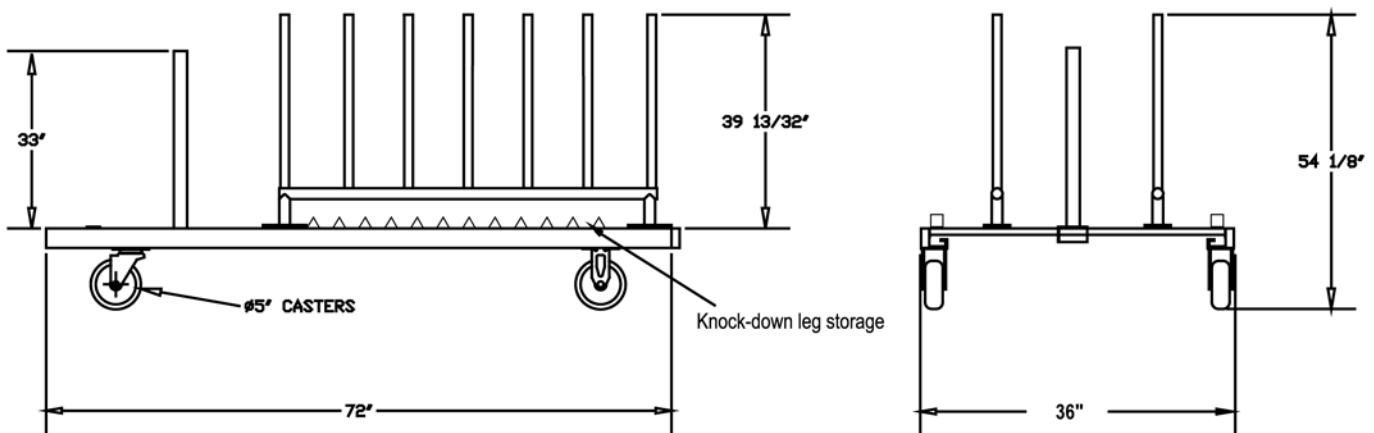
The CT/RT Cart–12 Knock-down is designed to hold 12 disassembled Knock-down style tables. The cart has six slots that hold two table tops each and one slide that holds 12 bases. Legs are stored horizontally on cart base.

### Primary Structure:

Part	Material Size
Main Frame	angle iron 1 1/2" x 1 1/2" x 3/16"
Upright Posts	round tube 1" x 14 gauge
Handle	round tube 1 1/4" x 14 gauge
Table base slide	round tube 1 1/2" x 12 gauge
Mounting Plates	steel strap 3" x 3/16"

### Casters:

Casters are 1 1/4" wide x 5" diameter, with grey non-marring flat tread. 6" diameter casters are also available. Wheels are mounted on two swivel caster rigs and two fixed caster rigs with a load capacity of not less than 325 pounds each.



Part Number Example: CRTDLBK4